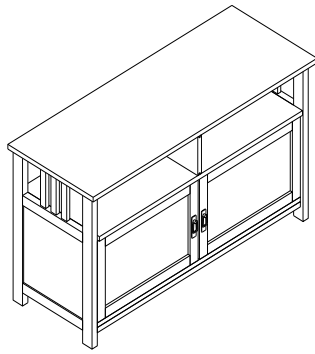


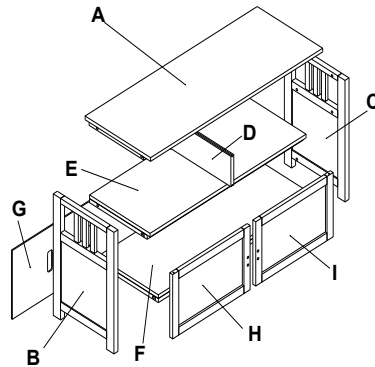
Mission TV Stand



Thank you for purchasing our Mission TV Stand. We have found it helpful to have a second person present in at least one step of the assembly.

Mission TV Stand Assembly Instructions

Lay out all parts on a "non-abrasive" surface to avoid scratching furniture.



NO.	DRAWING	DESCRIPTION	QTY.
A		TOP	1
B		END PANEL-L	1
C		END PANEL-R	1
D		DIVIDER	1
E		SHELF	1
F		BOTTOM PANEL	1
G		BACK PANEL	1
H		DOOR-L	1
I		DOOR-R	1

NO.	DRAWING	DESCRIPTION	QTY.
J		M6*30mm BOLT	12
K		M6*60mm BOLT	2
L		MINIFIX CONNECTING BOLT	2
M		HANDLE	2
N		HANDLE SCREW	4
O		HEX WRENCH	1
P		WIRE GLIDE	2

PARTS

Step 1

Read through these instructions thoroughly before beginning assembly. We have found this to be of great value when first assembling this product.

Step 2

Remove all parts and hardware from packing material. Wooden pieces should be placed on a non-abrasive surface (like the carton or carpet) to prevent damage to the finish.

Step 3, 4 and 5

Note: It will help to have a second person at this time to assist in assembly.

Lay Top (A) upside down. Attach Left End Panel (B) to Top (A) with 2 Hex Bolts M6 x 30mm (J).

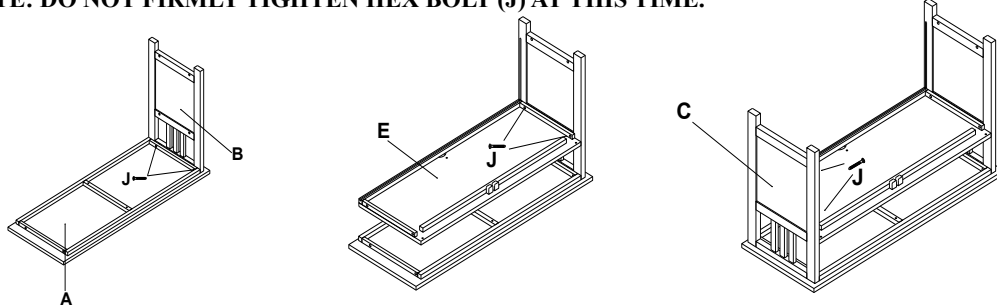
Attach Shelf (E) to Left End Panel (B) with 2 Hex Bolts M6 x 30MM (J).

NOTE: DO NOT FIRMLY TIGHTEN HEX BOLT (J) AT THIS TIME.

Attach Right End Panel (C) to Top (A) and Shelf (E) with 4 Hex Bolts M6 x 30mm (J).

NOTE: DO NOT FIRMLY TIGHTEN HEX BOLT (J) AT THIS TIME.

Note: Stand is upside-down
right panel is on left-hand side.



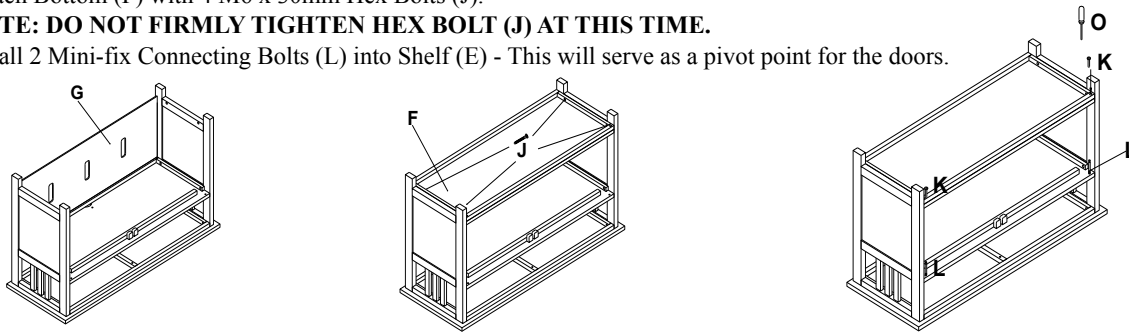
Step 6, 7 and 8

Slide Back (G) into slots in back of Left and Right End Panels and bottom of Shelf (E).

Attach Bottom (F) with 4 M6 x 30mm Hex Bolts (J).

NOTE: DO NOT FIRMLY TIGHTEN HEX BOLT (J) AT THIS TIME.

Install 2 Mini-fix Connecting Bolts (L) into Shelf (E) - This will serve as a pivot point for the doors.



Step 9, 10, 11, 12 and 13

Place Left Door (H) over Mini-fix Connecting Bolt (L) and attach using M6 x 60mm Bolt(K) through Bottom Panel (F).

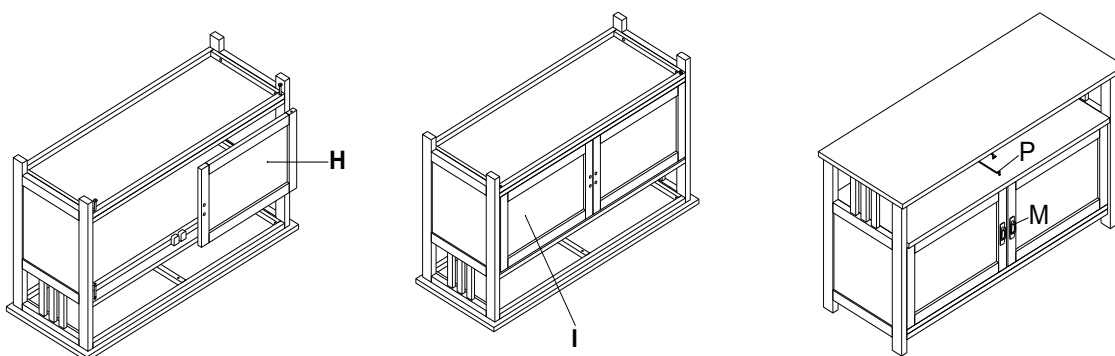
Repeat with Right Door (I).

NOTE: AT THIS POINT, GO BACK AND FIRMLY TIGHTEN HEX BOLT (J) - ALL PLACES.

Turn unit upright and attach 2 handles (M) with 4 Handle Screw (N).

Insert Wire Guides (P) into Underside of Top and top face of Shelf.

Slide Divider (D) into place over Wire Guides (P).



CARE

Clean with mild soap and wipe dry.

REPLACEMENT PARTS:

For best service, to order replacement parts go to www.alaterrefurniture.com. Use the order form on the web site to order your replacement parts. **Thank You!**